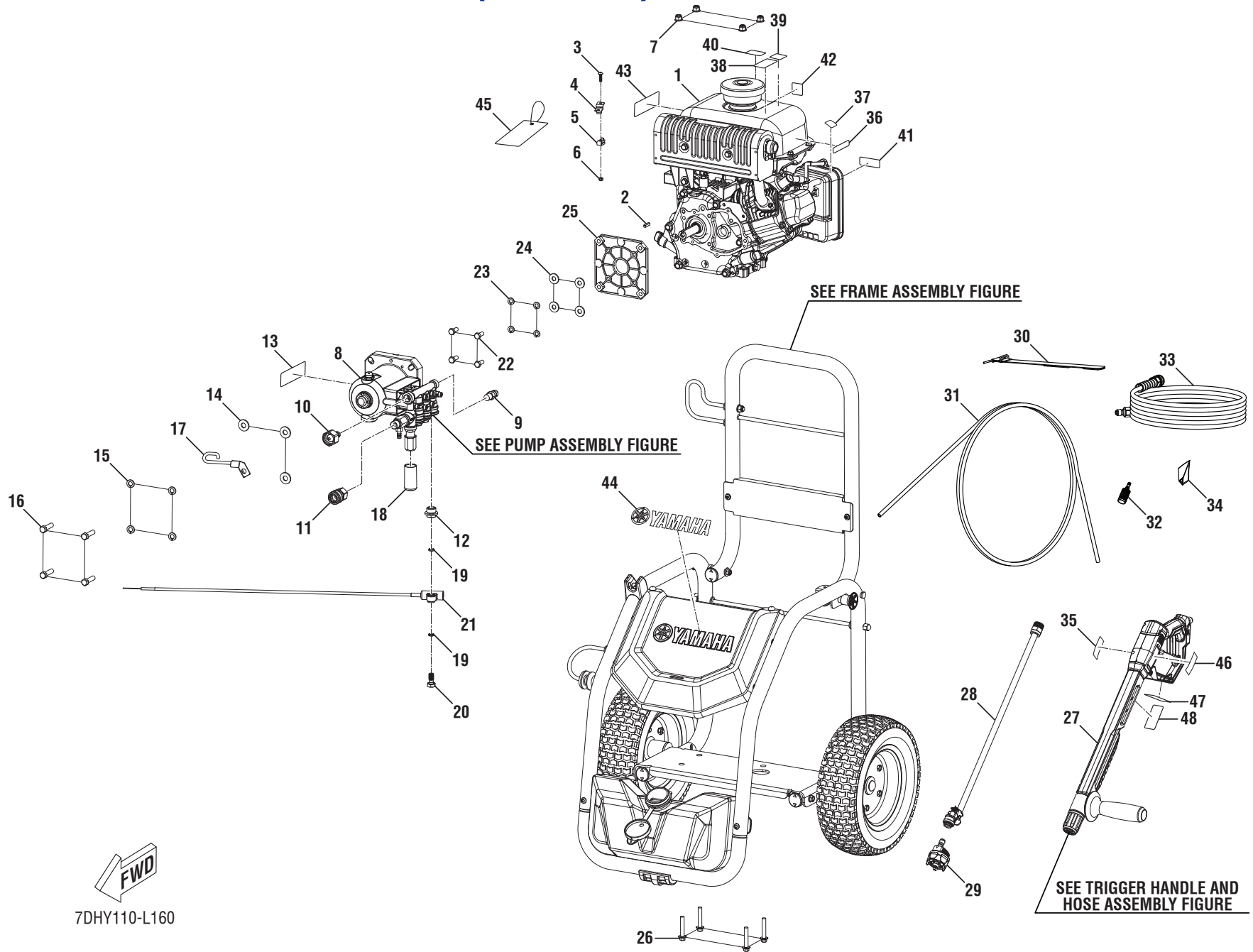




**Pressure Washer  
Model No. PW3028A (YM80701)  
Replacement Parts List**

# YAMAHA PW3028A (YM80701)



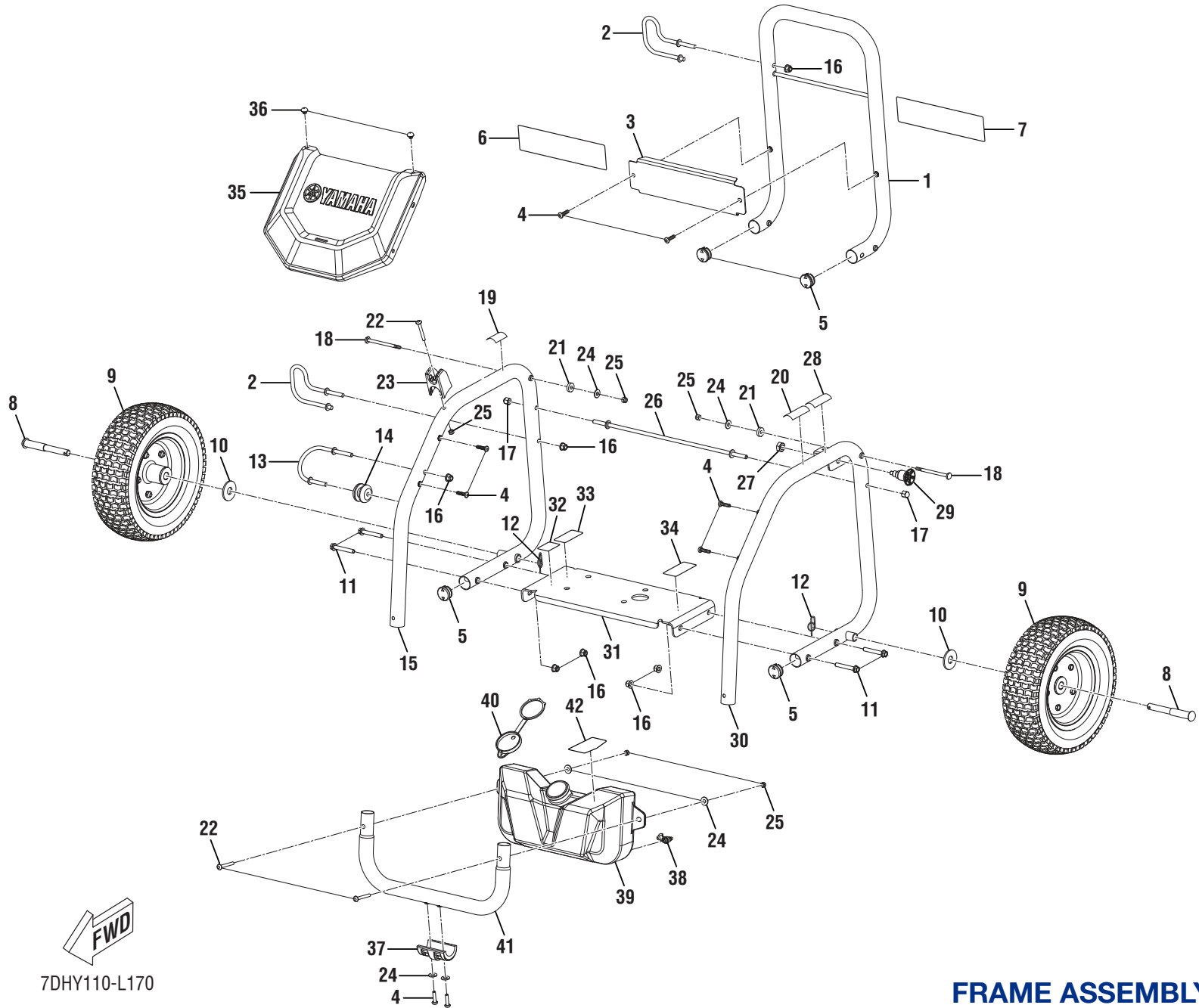
7DHY110-L160



# YAMAHA PW3028A (YM80701)

KEY	TTI P/N	YAMAHA P/N	DESCRIPTION	QTY	KEY	TTI P/N	YAMAHA P/N	DESCRIPTION	QTY
1	Note A	---	Engine (Yamaha MZ200) .....	1	26	661505004	7DH-R4548-00	Bolt (M8 x 45 mm, Flange Hd.) .....	4
2	678793001	7DH-R4030-00	Output Shaft Key (27 mm).....	1	27	308760037	7DH-R4610-00	Trigger Handle Assembly (Inc. Key Nos. 46-48)..	1
3	660938003	7DH-R4041-00	Bolt (M5 x 20 mm).....	1	28	308494066	7DH-R4630-00	Wand .....	1
4	678933001	7DH-R4060-00	Cable Bracket .....	1	29	310448005	7DH-R4635-00	5-in-1 Nozzle.....	1
5	524014001	7DH-R4031-00	Cable Clamp (Engine).....	1	30	308350001	7DH-R4261-00	Velcro Strap.....	1
6	678390001	7DH-R4042-00	Hex Nut (M5) .....	1	31	561399003	7DH-R4360-00	Chemical Siphon Tube .....	1
7	678774002	7DH-R4549-00	Flange Nut (M8).....	4	32	308103015	7DH-R4332-00	Chemical Siphon Filter .....	1
8	308694031	7DH-R4110-00	Pump Assembly (4GXT30) .....	1	33	308835059	7DH-R4660-00	Hose Assembly (30 ft.) .....	1
9	678169004	7DH-R4131-00	Thermal Release Valve .....	1	34	519314001	7DH-R4636-00	Funnel.....	1
10	308692003	7DH-R4140-00	Garden Hose Coupler w/Filter.....	1	35	940786032	7DH-54673-00	Wand Logo Label .....	1
11	308661004	7DH-R4141-00	Quick Connect (3/8 in.) .....	1	36	940803018	7DH-R4071-00	EMC Label.....	1
12	638054001	7DH-R4130-00	Idle Down Plug .....	1	37	940647093	7DH-R4072-00	Choke Label .....	1
13	941822001	7DH-R407B-00	Pump Label .....	1	38	940872017	7DH-R4073-00	E85 Label .....	1
14	638386002	7DH-R4553-00	Washer (3/8) .....	3	39	941613004	7DH-R4074-00	Pressure Release Label.....	1
15	638679001	7DH-R4552-00	Lock Washer (3/8 in.).....	4	40	940899003	7DH-R4075-00	Do Not Mix Label .....	1
16	661558001	7DH-R4541-00	Bolt (3/8-16 x 1-3/8 in., Hex Hd.).....	4	41	941486011	7DH-R4076-00	Inquiries Label .....	1
17	679069001	7DH-R4135-00	Cable Bracket .....	1	42	941550006	7DH-R4077-00	Shut Off Valve Label.....	1
18	570410002	7DH-R4134-00	Unloader Cap .....	1	43	940947003	7DH-R4078-00	Combustion Warning Label.....	1
19	310928001	7DH-R4133-00	Compression Seal.....	2	44	941821001	7DH-R4278-00	Yamaha Logo Label .....	1
20	660971005	7DH-R4142-00	Bolt (M10 x 1.5 in., Special) .....	1	45	940473009	7DH-R407A-00	Warning Hangtag .....	1
21	310437008	7DH-R4111-00	Idle Down Assembly.....	1	46	940654061	7DH-R4674-00	Trigger Handle Warning Label (Eng).....	1
22	661557001	7DH-R4540-00	Bolt (5/16-24 x 3/4 in., Hex Hd.) .....	4	47	940654058	7DH-R4671-00	Trigger Handle Warning Label (Fr/Sp) .....	1
23	638678001	7DH-R4550-00	Lock Washer (5/16 in.).....	4	48	941749001	7DH-R4672-00	Max Rating Label .....	1
24	638675002	7DH-R4551-00	Washer (5/16 in.) .....	4	<b>Not Shown:</b>				
25	638642001	7DH-R4033-00	Motor Mount .....	1	990000512	7DH-R4691-00	Operator's Manual (120900186)		

 **YAMAHA** PW3028A (YM80701)

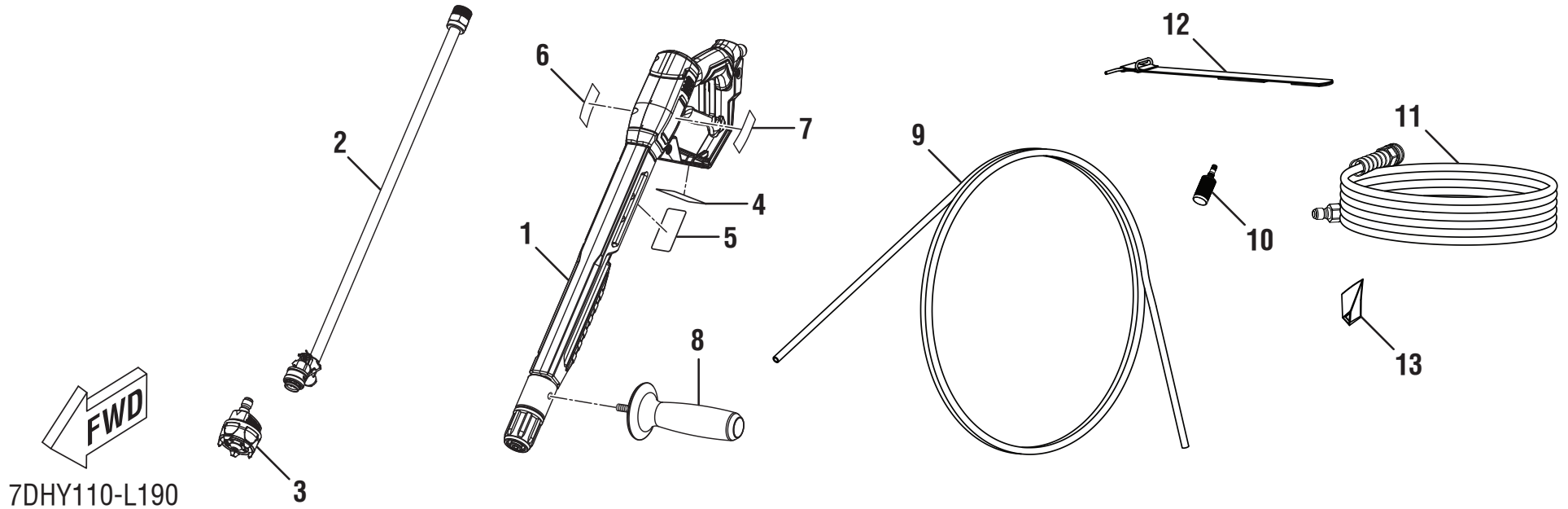


 FWD  
7DHY110-L170

**FRAME ASSEMBLY FIGURE**

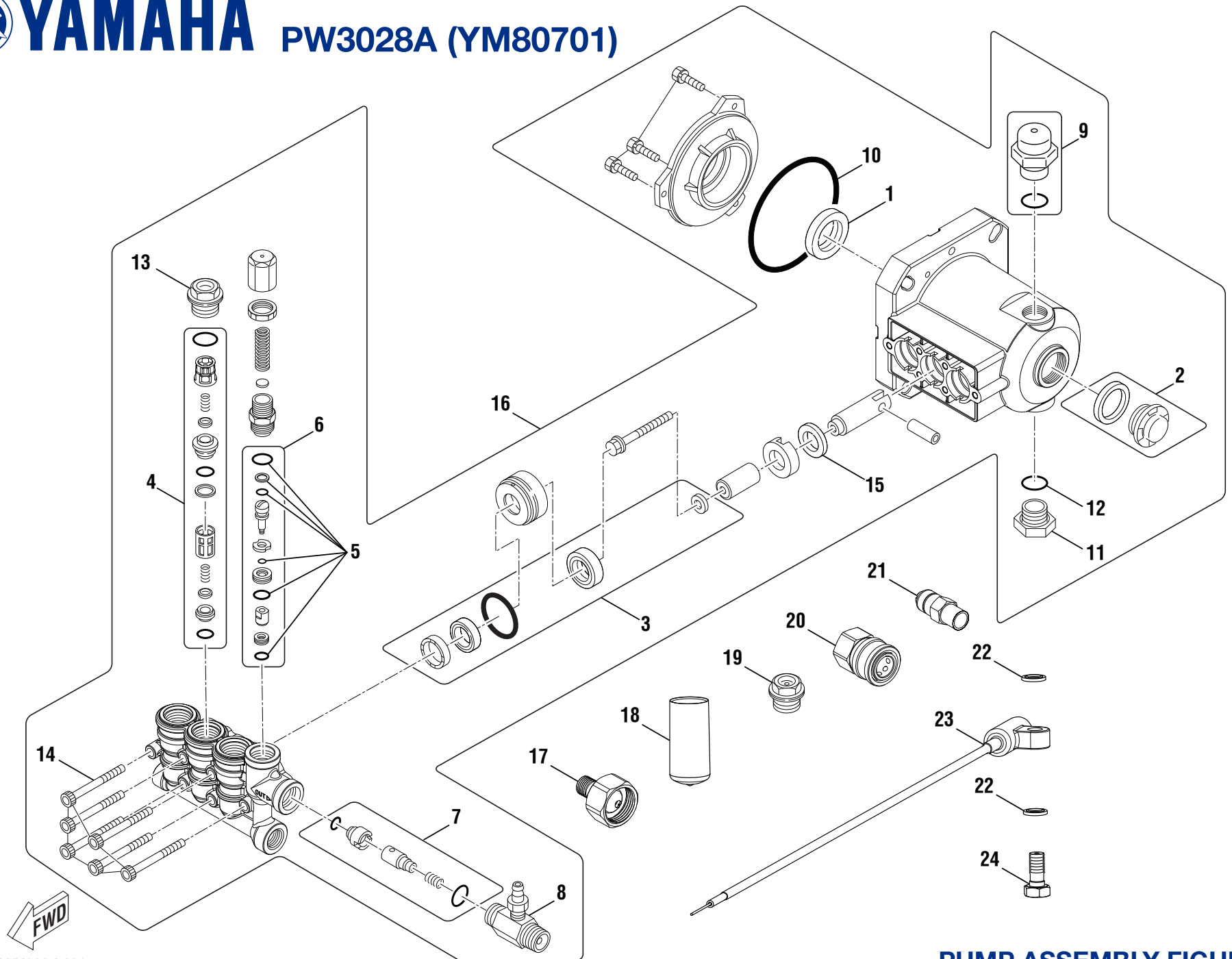
### FRAME ASSEMBLY FIGURE

KEY	TTI P/N	YAMAHA P/N	DESCRIPTION	QTY	KEY	TTI P/N	YAMAHA P/N	DESCRIPTION	QTY
1	308940007	7DH-R4223-00	Handle Assembly (Inc. Key No. 5).....	1	23	518931003	7DH-R423C-00	Wand Holder .....	1
2	308316008	7DH-R4632-00	Trigger Handle Holder .....	2	24	638128004	7DH-R4251-00	Washer (1/4 in.) .....	6
3	678973003	7DH-R4675-00	Front Panel .....	1	25	678016006	7DH-R454A-00	Lock Nut (1/4-20) .....	5
4	660224009	7DH-R4543-00	Bolt (M6 x 25 mm, T-30 Torx Pan Hd.) .....	8	26	678617008	7DH-R4234-00	Bar .....	1
5	518932001	7DH-R4230-00	End Cap .....	4	27	678518002	7DH-R4542-00	Lock Nut (1/2-20) .....	1
6	940779104	7DH-R4271-00	Performance Label .....	1	28	940758005	7DH-R4275-00	Release Pin Label .....	1
7	940617122	7DH-R4272-00	Quick Start Label .....	1	29	308910005	7DH-R4213-00	Handle Lock Assembly .....	1
8	620598002	7DH-R4634-00	Axle Bolt .....	2	30	310703017	7DH-R4210-00	Frame (Left, Inc. Key No. 5) .....	1
9	308710006	7DH-R4620-00	Wheel (12 in.) .....	2	31	638662031	7DH-R4232-00	Engine Plate .....	1
10	638128001	7DH-R4650-00	Washer (5/8 in.) .....	2	32	940871009	7DH-R4276-00	Add Oil Label .....	1
11	660962001	7DH-R4547-00	Bolt w/Washer (M8 x 55 mm, Hex Hd.) .....	4	33	940836021	7DH-R4470-00	Data Label .....	1
12	678899001	7DH-R423D-00	Cotter Pin .....	2	34	940894009	7DH-R4277-00	Danger Label .....	1
13	678243017	7DH-R4633-00	Lower Wand Holder .....	1	35	638671009	7DH-R423E-00	Face Plate .....	1
14	570478002	7DH-R4661-00	Rubber Bumper .....	1	36	570733003	7DH-R4262-00	Rubber Cap .....	2
15	310704020	7DH-R4211-00	Frame (Right, Inc. Key No. 5) .....	1	37	561307005	7DH-R4264-00	Rubber Foot .....	1
16	678774002	7DH-R4549-00	Flange Nut (M8) .....	7	38	560335002	7DH-R4263-00	Outlet Cover .....	1
17	678681001	7DH-R4546-00	Acorn Nut .....	2	39	580875011	7DH-R4330-00	Soap Tank .....	1
18	678406004	7DH-R4530-00	Connector Pin (1/4 in.) .....	2	40	310650008	7DH-R4331-00	Soap Tank Cap .....	1
19	940517007	7DH-R4273-00	Lubricant Label .....	1	41	310742021	7DH-R4212-00	Front Frame Assembly (Inc. Key Nos. 24 and 43-44) .....	1
20	940680054	7DH-R4274-00	Hot Surface Label .....	1	42	941608006	7DH-R427C-00	Detergent Tank Label .....	1
21	518724002	7DH-R4531-00	Washer (OD20 x ID8 x 4.5t) .....	2					
22	661501001	7DH-R4544-00	Screw (1/4-20 x 1.85 in., Torx T-30 Hd.) .....	3					



**TRIGGER HANDLE AND HOSE ASSEMBLY FIGURE**

KEY	TTI P/N	YAMAHA P/N	DESCRIPTION	QTY
1	308760037	7DH-R4610-00	Trigger Handle Assembly (Inc. Key Nos. 4-5 and 7-8).....	1
2	308494066	7DH-R4630-00	Wand .....	1
3	310448005	7DH-R4635-00	5-in-1 Nozzle.....	1
4	940654058	7DH-R4671-00	Trigger Handle Warning Label (Fr/Sp).....	1
5	941749001	7DH-R4672-00	Max Rating Label .....	1
6	940786032	7DH-54673-00	Wand Logo Label .....	1
7	940654061	7DH-R4674-00	Trigger Handle Warning Label (Eng).....	1
8	521830002	7DH-R4361-00	Handle.....	1
9	561399003	7DH-R4360-00	Chemical Siphon Tube.....	1
10	308103015	7DH-R4332-00	Chemical Siphon Filter.....	1
11	308835059	7DH-R4660-00	Hose Assembly (30 ft.).....	1
12	308350001	7DH-R4261-00	Velcro Strap.....	1
13	519314001	7DH-R4636-00	Funnel .....	1



7DHY110-L180

**PUMP ASSEMBLY FIGURE**

### PUMP ASSEMBLY FIGURE

KEY	TTI P/N	YAMAHA P/N	DESCRIPTION	QTY
1	570742069	7DH-R4136-00	Oil Seal.....	1
2	308688007	7DH-R4137-00	Gauge .....	1
3	120971001	7DH-R4100-00	Seal Kit.....	3
4	310866003	7DH-R4101-00	Valve Assembly.....	3
5	120971002	7DH-R4102-00	O-Ring Kit .....	1
6	120971004	7DH-R4103-00	Unloader Kit .....	1
7	120971003	7DH-R4104-00	Check Valve Kit.....	1
8	310735003	7DH-R4138-00	Fixed Injector .....	1
9	310438002	7DH-R4139-00	Oil Fill Cap w/O-ring.....	1
10	570742070	7DH-R4161-00	O-Ring.....	1
11	526472001	7DH-R413A-00	Drain Plug .....	1
12	561384011	7DH-R4162-00	O-Ring.....	1
13	526473001	7DH-R413B-00	Plug.....	1
14	673205001	7DH-R4143-00	Bolt.....	6
15	570763007	7DH-R413C-00	Oil Seal.....	1
16	308694031	7DH-R4110-00	Pump Assembly (Inc. Key Nos. 1-15).....	1
17	308692003	7DH-R4140-00	Garden Hose Coupler w/Filter .....	1
18	570410002	7DH-R4134-00	Unloader Cap.....	1
19	638054001	7DH-R4130-00	Idle Down Plug.....	1
20	308661004	7DH-R4141-00	Quick Connect (3/8 in.) .....	1
21	678169004	7DH-R4131-00	Thermal Release Valve.....	1
22	310928001	7DH-R4133-00	Compression Seal.....	2
23	310437008	7DH-R4111-00	Idle Down Assembly .....	1
24	660971005	7DH-R4142-00	Bolt (M10 x 1.5 in., Special).....	1